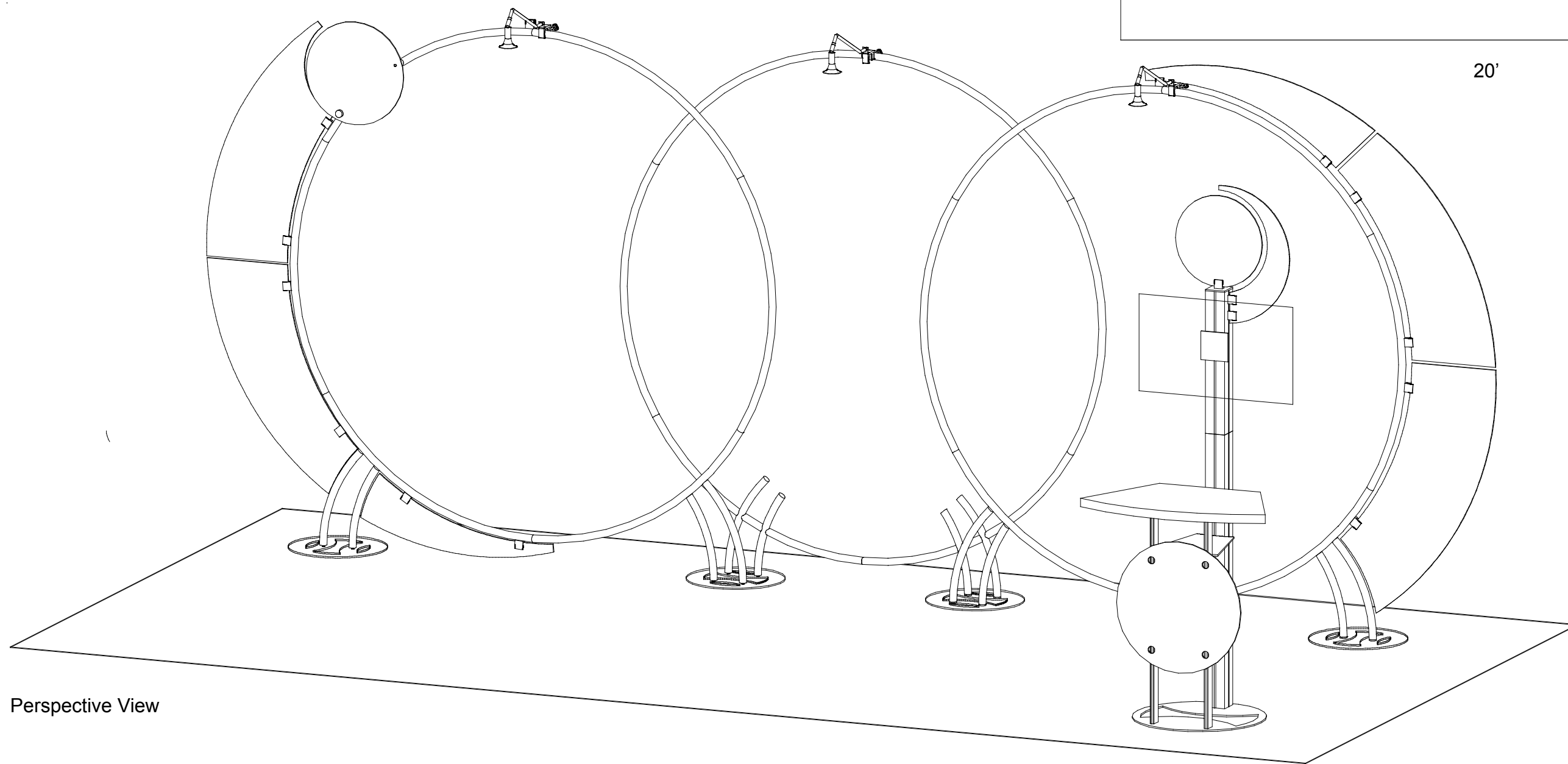


10'

20'



General Setup Instructions

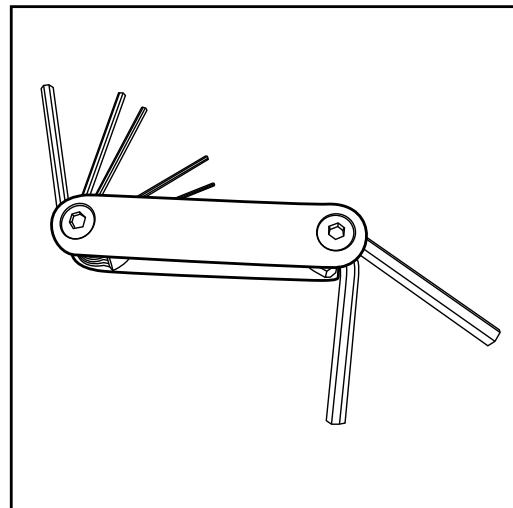
- Read entire setup instruction manual prior to unpacking parts and pieces.
- The setup instructions are created specifically for this configuration.
- Setup instructions are laid out sequentially in steps, including exploded views with detailed explanation for assembly.

Cleaning & Packing

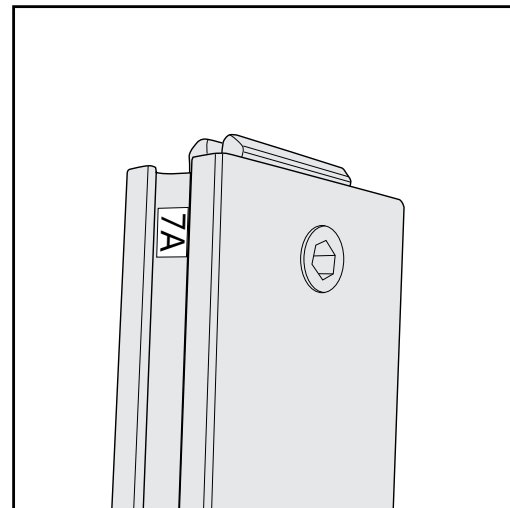
- For Cleaning Metal, Plex, & Laminate Parts: Use a **MILD NON-ABRASIVE** cleanser and soft cloth/paper towel to clean all surfaces.
- Keep exhibit components away from heat and prolonged sun exposure.
Heat and UV exposure will warp and fade components.
- Retain all provided Packing Materials. All provided packing materials are for ease of repacking & component protection.

Disassembly

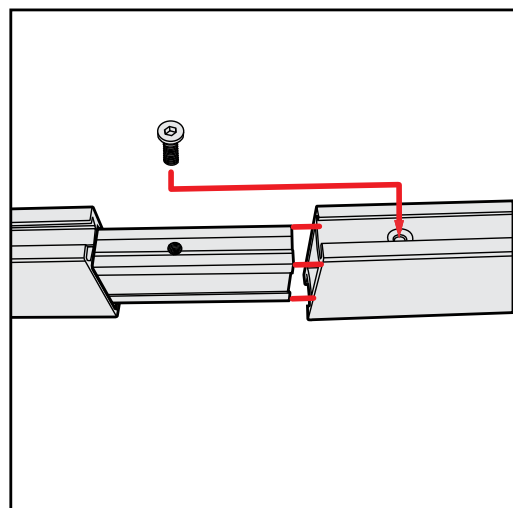
- For loss prevention, tighten all setscrews and locks during disassembly



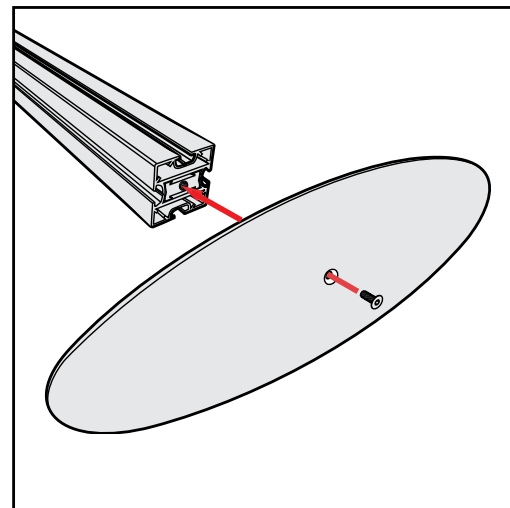
Hex Tool - Essential for Assembly



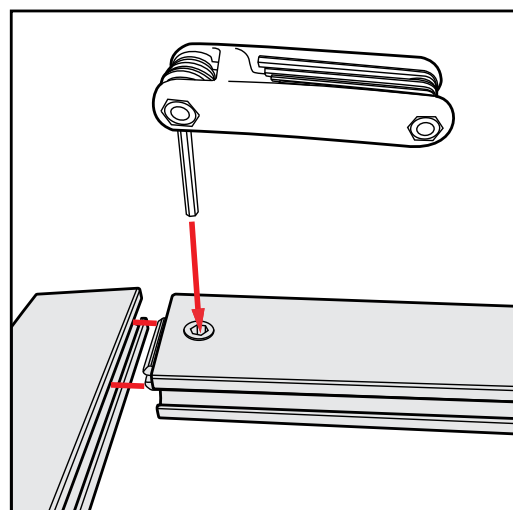
Part Identification - Numbering



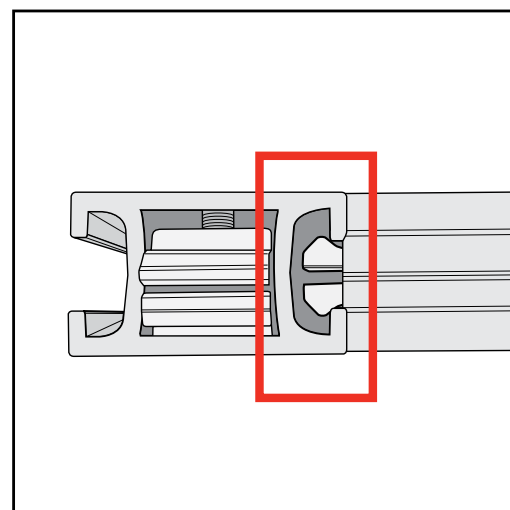
Spline Connection



Base Plate & Extrusion Connection



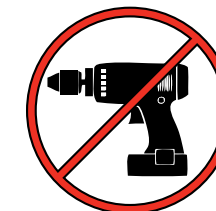
Extrusion & Lock Connection



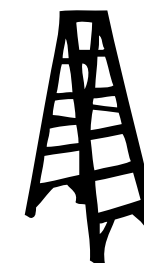
Engaged Lock



WARNING



DO NOT USE POWER TOOLS



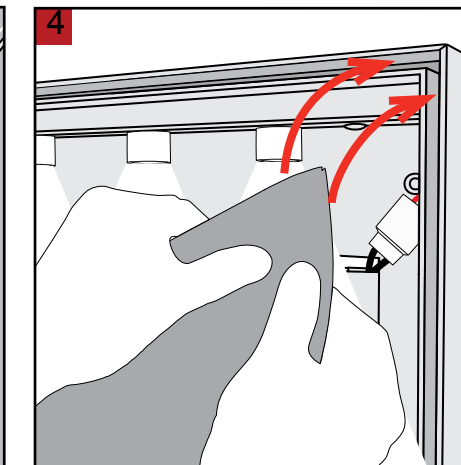
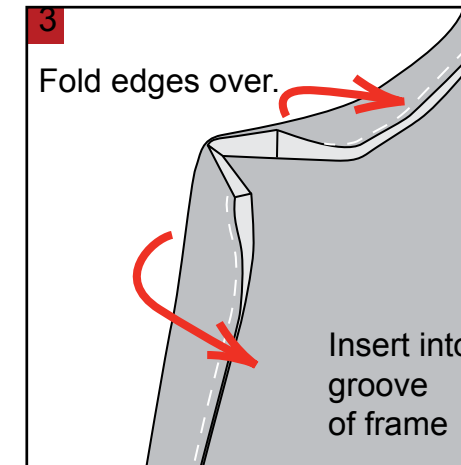
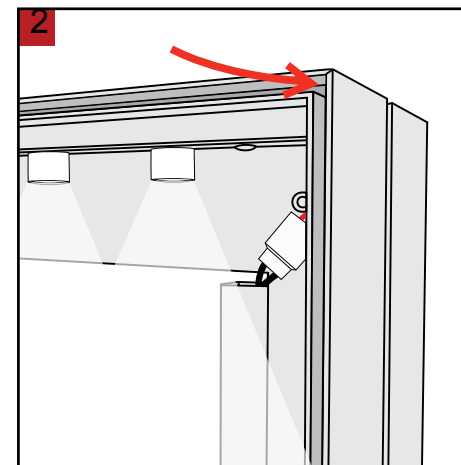
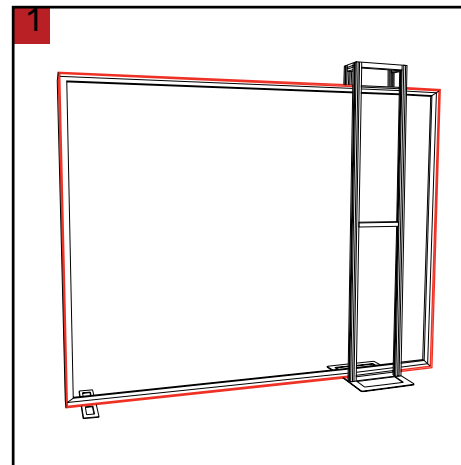
LADDERS OR LIFTS
MAY BE REQUIRED



ALL CONNECTIONS MUST
BE TIGHTLY SECURED

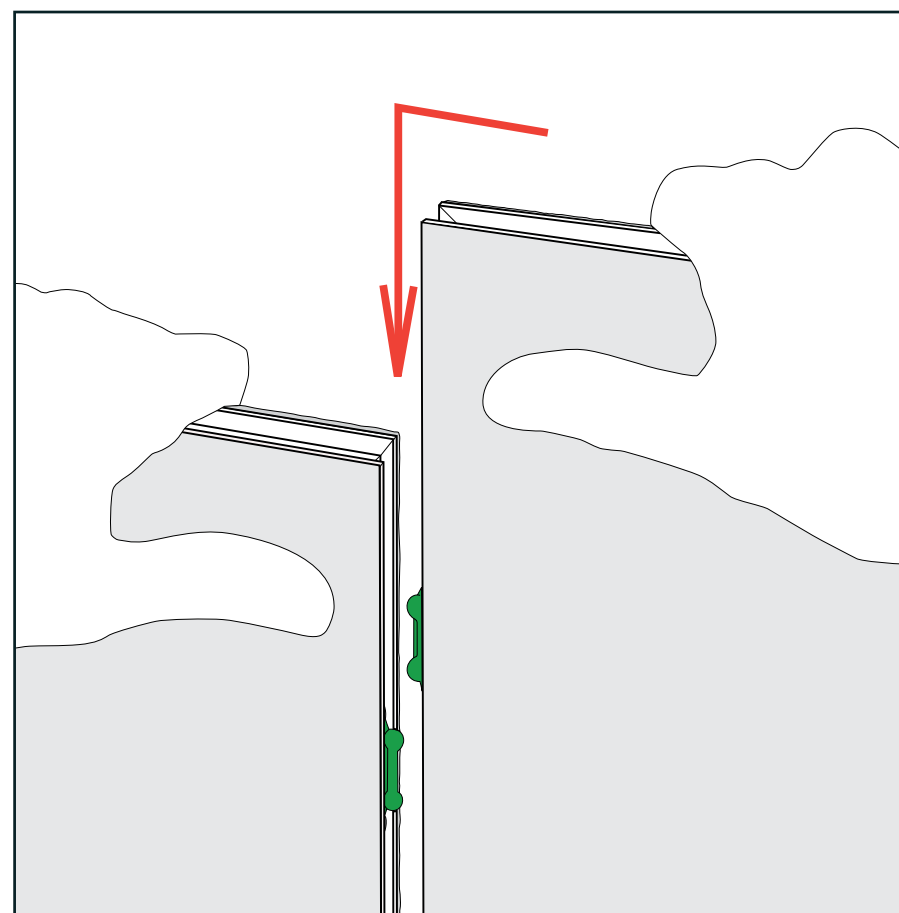
SEG Graphic Installation

- 1) Locate channels along the edges of extrusions
- 2) Insert graphic corners first into channels then center point of graphic into channels. Allows for proportional fit around the perimeter of the extrusion.
- 3) Working from center to corner, slide silicon edge on graphic into channel.
- 4) After all edges of graphic have been inserted into channels, step back and assess graphic fit, make adjustments where needed.



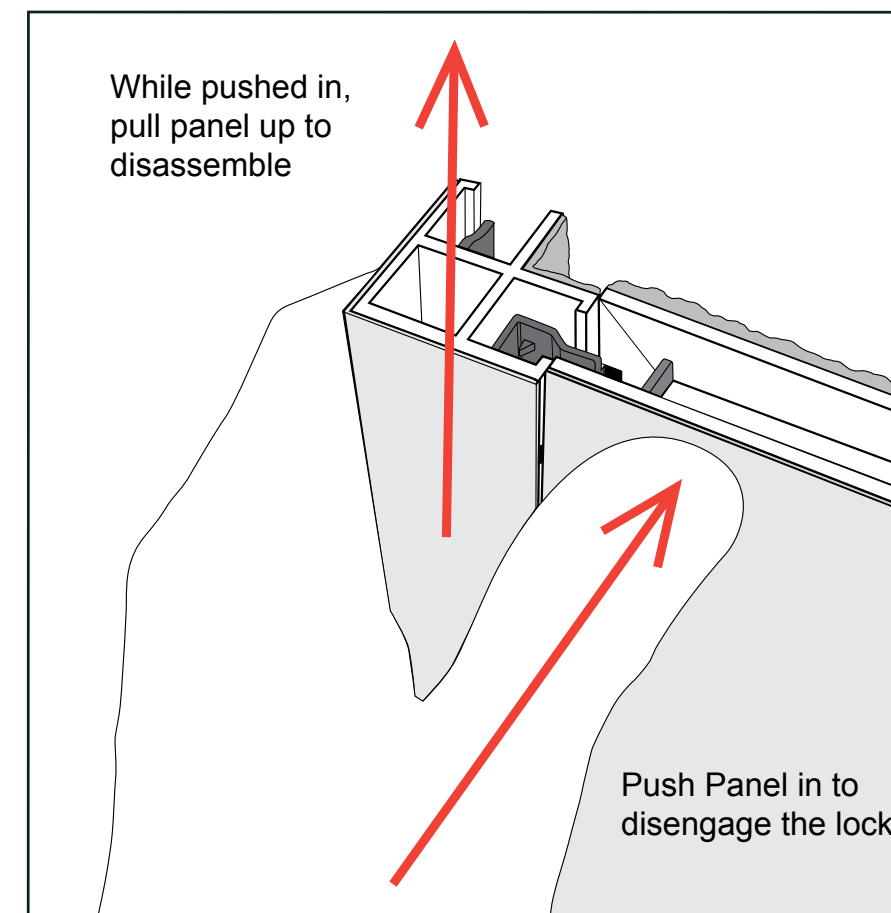
LT Panel Assembly

- 1) With a vertical offset, place LT-Panels side-by-side; slide vertically offset panel down to lock panels together and in place.
- 2) Corner Connectors (90°, T-Connector, Straight Connector) connect just as panels connect together. Repeat Step 1 for installing corner connectors to panels.

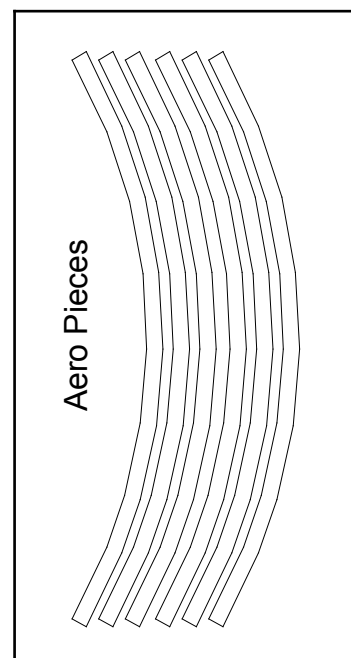
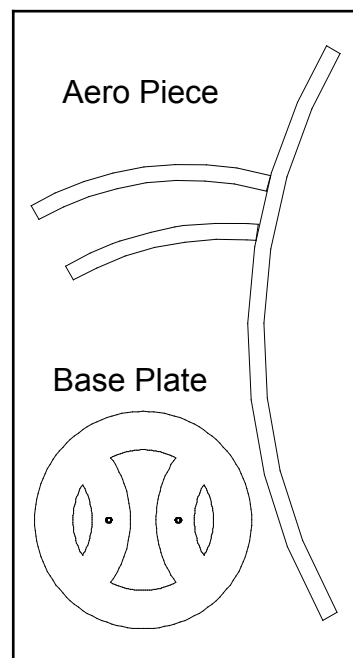
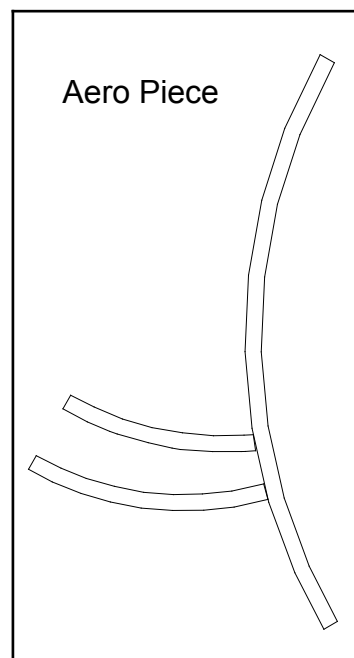
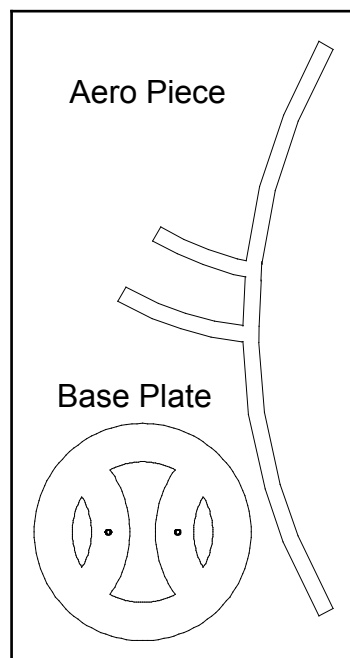


LT Panel Disassembly

- 1) To disassemble push panel with upper locks horizontally to disengage top lock clip.
- 2) Slide panels or connectors vertically in opposing directions to release latches and disconnect parts.



Top View of Each Level

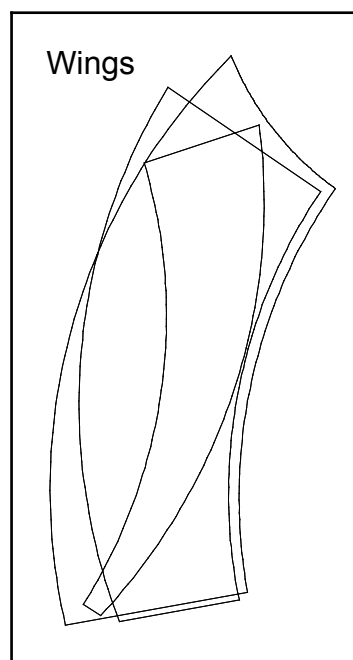


Graphics

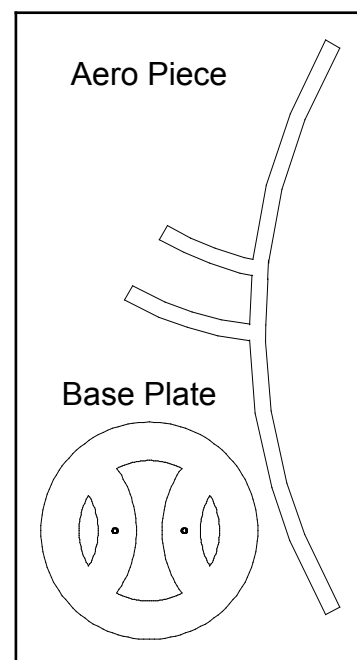
Setup Hardware

Graphics

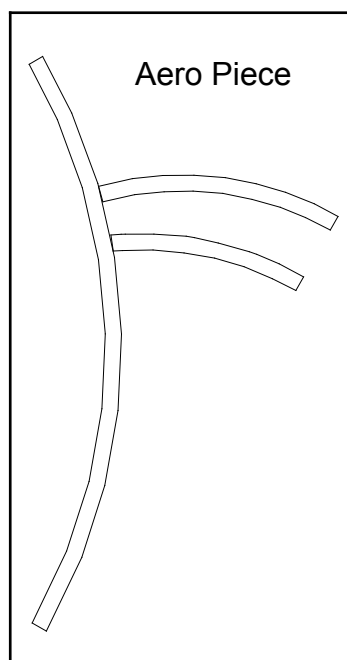
Top View of Each Level



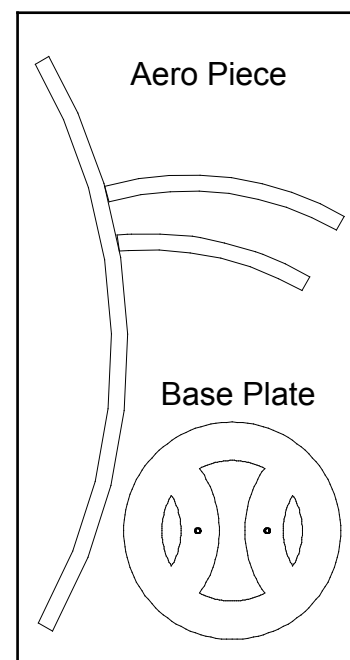
Level 1



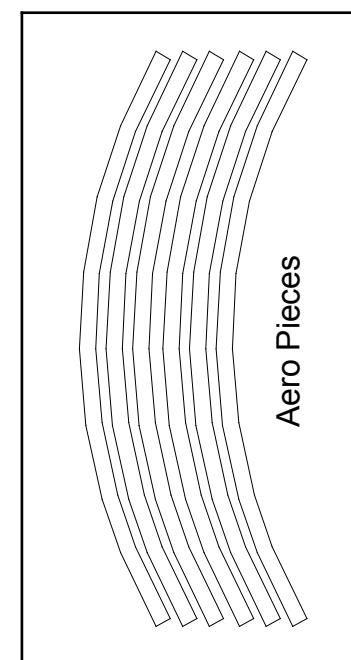
Level 2



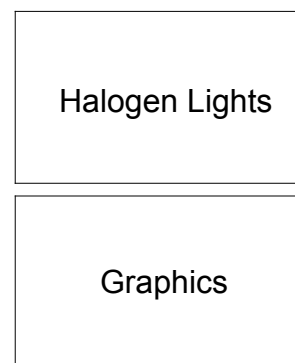
Level 3



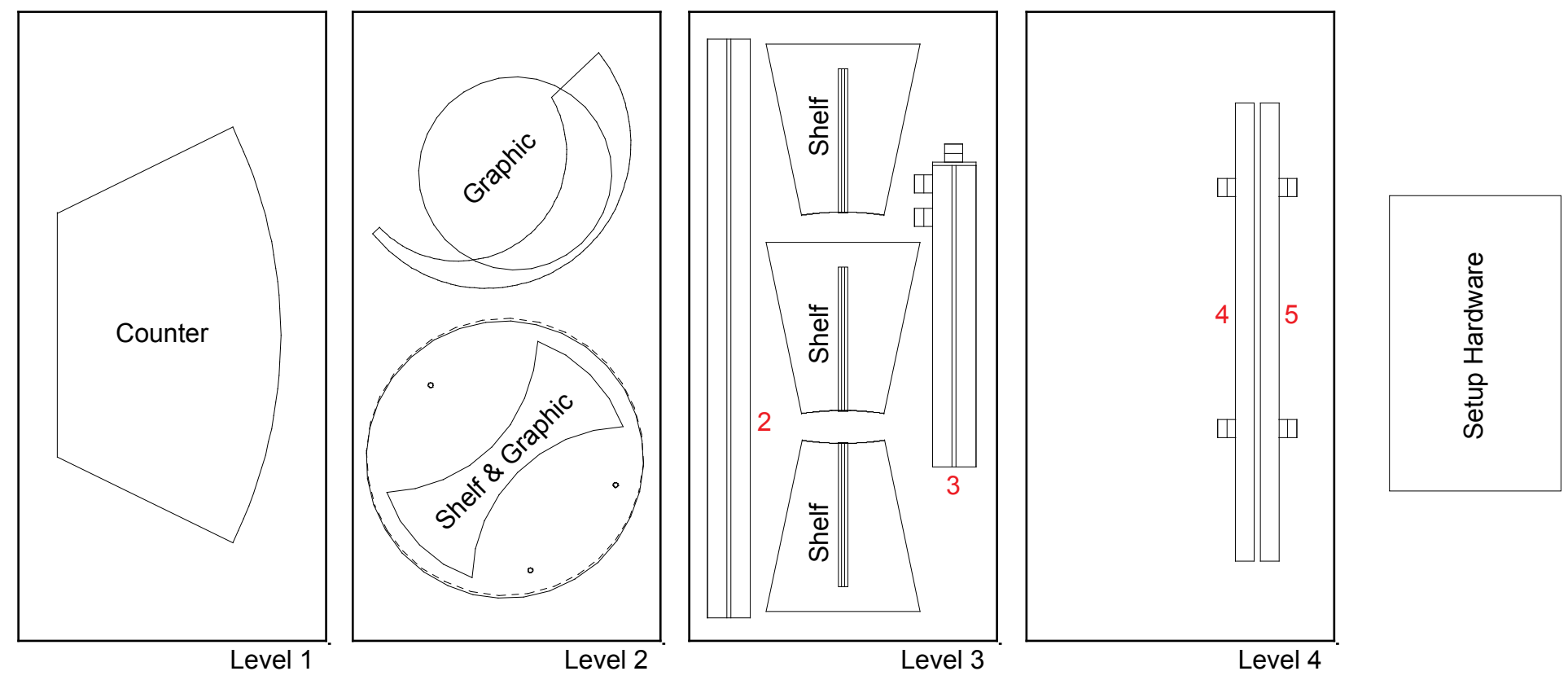
Level 4



Level 5



Top View of Each Level



AERO

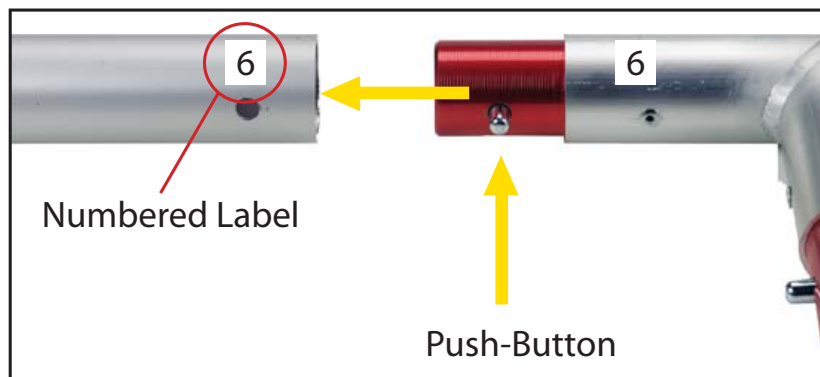
Using Your Setup Instructions

The Aero Overhead Sign Setup Instructions are created specifically for your configuration. They include an exploded view of the frame which is sequentially numbered. We encourage you to study the instructions before attempting to assemble your exhibit.

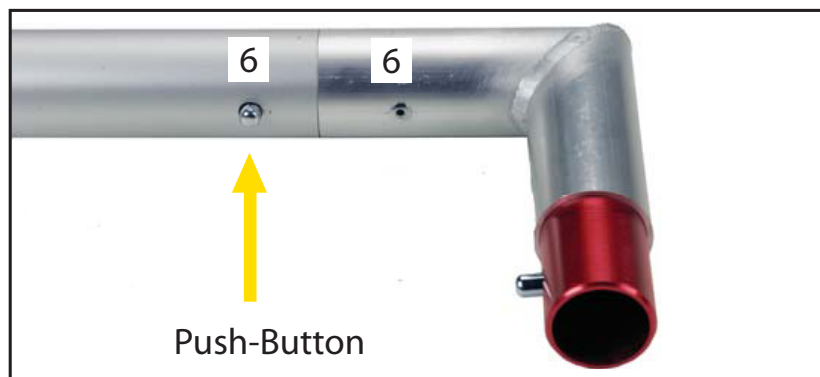
Connections are kept very simple: no tools. Everything assembles with push-button connectors and pre-connected horizontal sections.

Cleaning and Packing Your Display

- 1) Use care when cleaning aluminum extrusion or acrylic inserts. Use only non-abrasive cleaners.
- 2) Retain all packing material. It will make re-packing much easier and will reduce the likelihood of shipping damage.

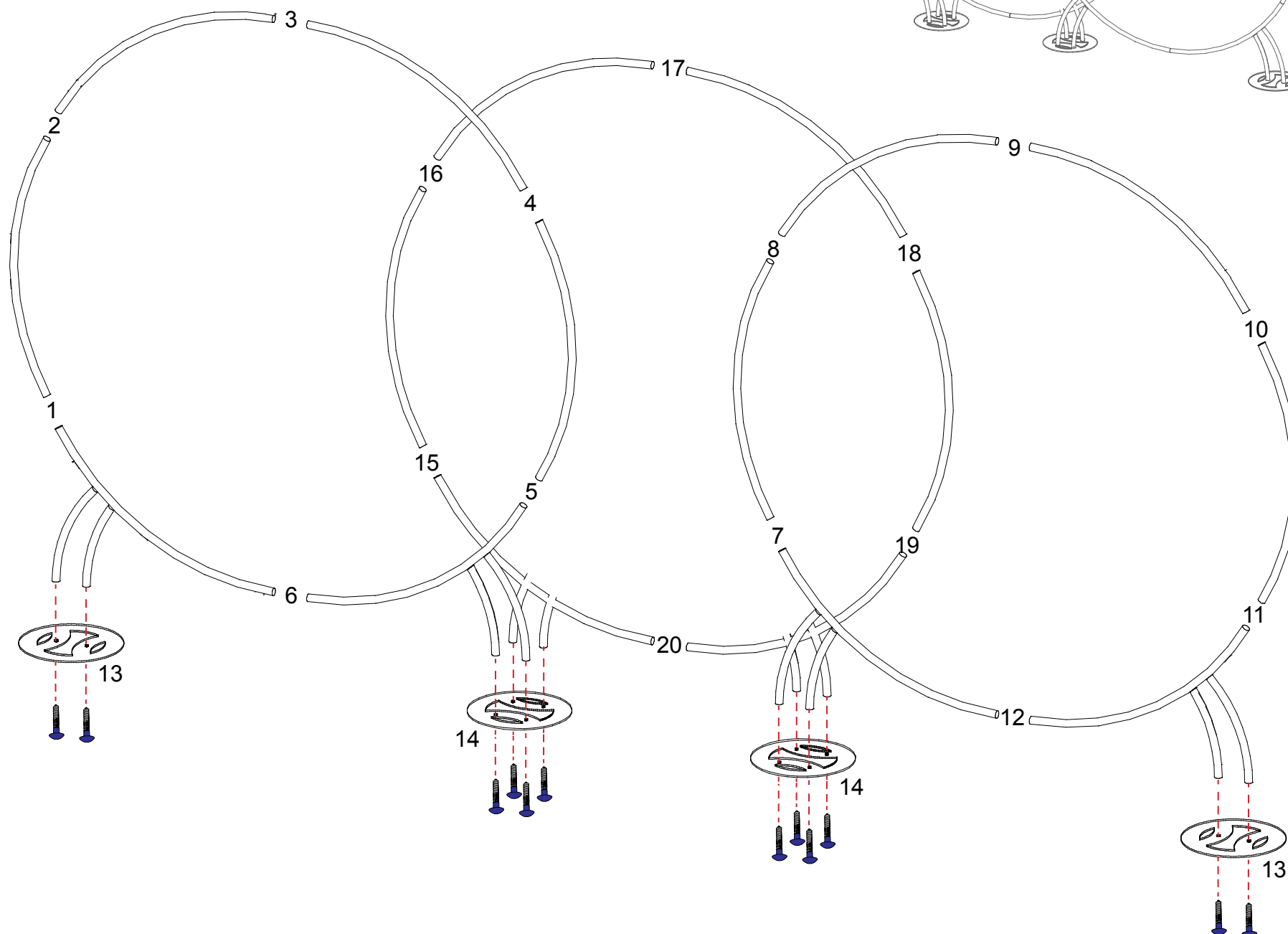
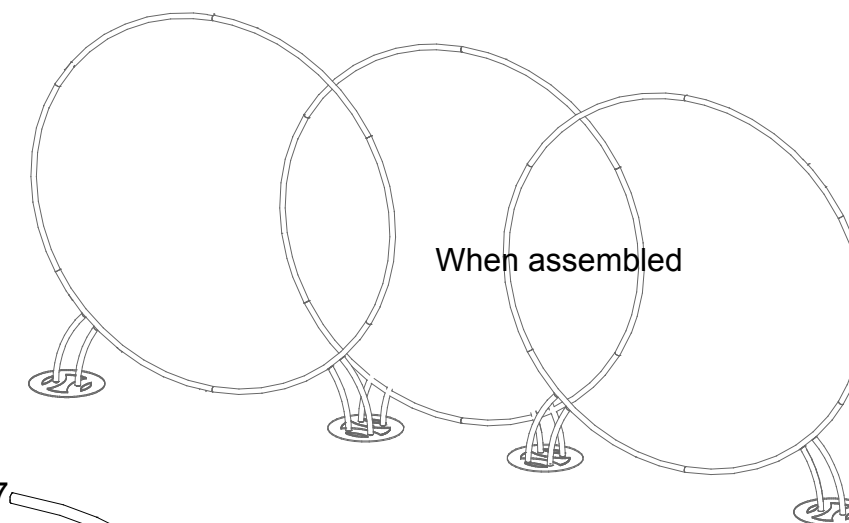


Connections are made by holding the button down and sliding the red tube into opposing tube until the connection is made. To disassemble push button and pull or twist extrusions apart.

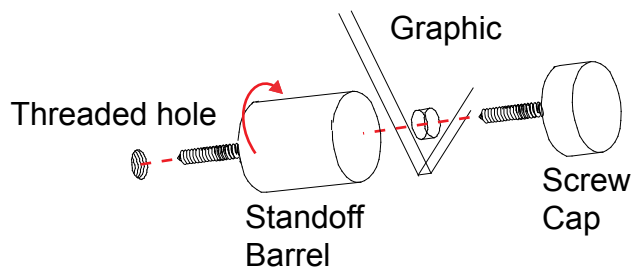


Steps:

- 1) Assemble aero pieces together in numerical order.
- 2) Apply pillow case graphic atop assembled aero frame.
- 3) Attach base plates to aero frame using bolts.

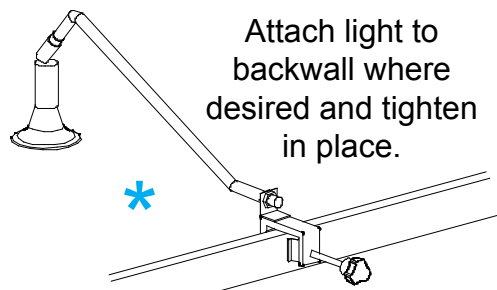


Graphic to backwall w/ Standoffs Attachment



Attach standoff barrels to horizontal and secure in place. Secure graphic to standoffs using screw caps.

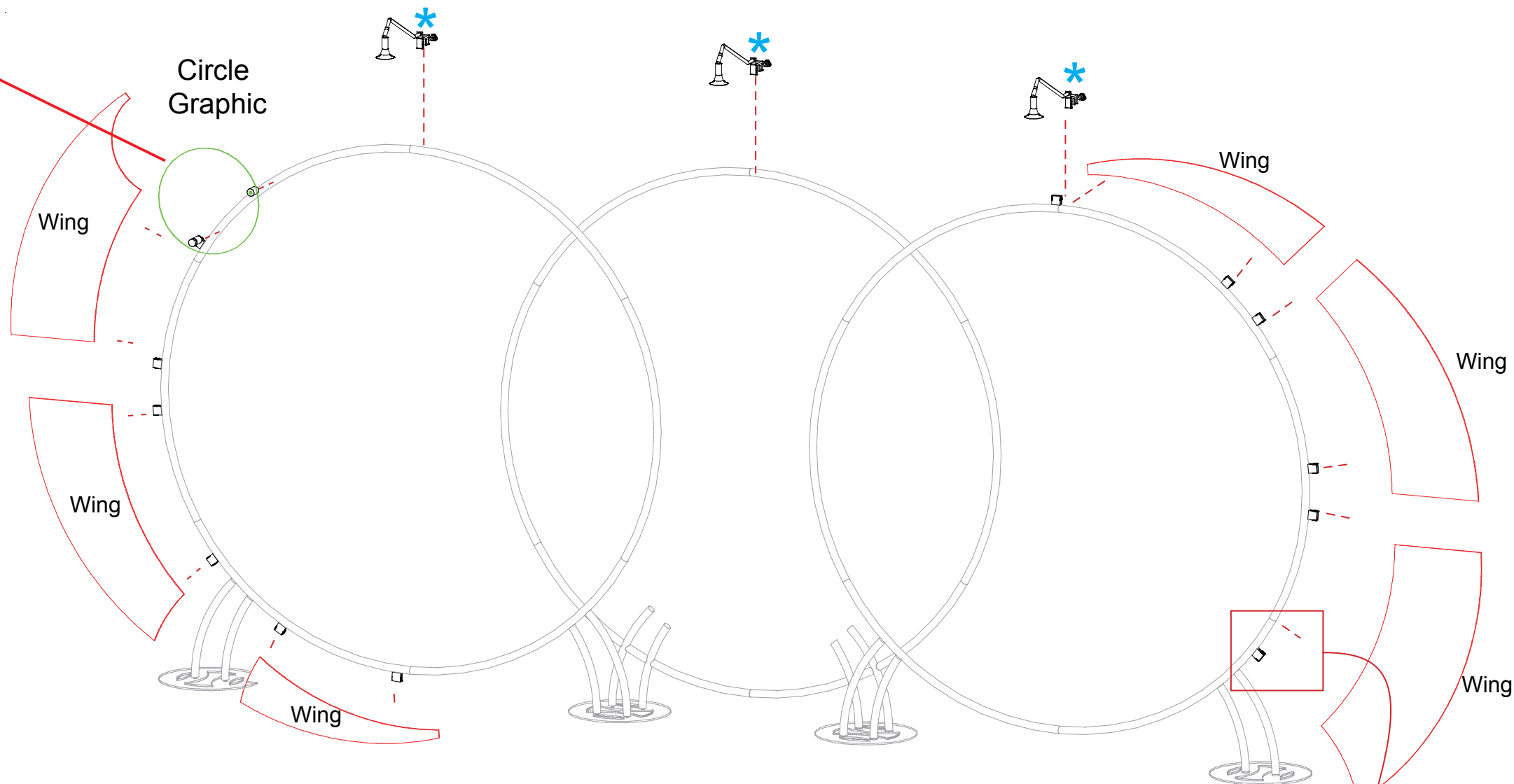
Light Connection



Attach light to backwall where desired and tighten in place.

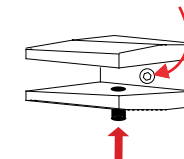
Steps:

- 1) Attach light atop assembled backwall aero frame. Refer to detail.
- 2) Attach wings to assembled backwall aero frame. Refer to detail.



A10 Clamp Detail

Tighten set screw to secure A10 to extrusion.



Tighten knob to secure header/wing in place.

- Steps:
- 1) Attach lower verticals to base plate using bolts.
 - 2) Attach upper vertical to lower vertical.
 - 3) Attach shelf supports [6] to vertical [2].
 - 4) Velcro attach shelf atop of shelf supports [6].
 - 5) Attach flange plates atop verticals [4,5].
 - 6) Set counter atop supports and secure in place.
Refer to detail.
 - 7) Attach graphics to post. Refer to detail.
 - 8) Attach monitor mount to post.
Refer to detail.
 - 9) Attach round graphic to verticals using screw caps. Refer to detail.

Item	Qty.	Description
1	1	Base Plate
2	1	48" Vertical Extrusion
3	1	25" Vertical Extrusion
4	1	38" Vertical Extrusion

Item	Qty.	Description
4a	1	Flange Plate
5	1	38" Vertical Extrusion
5a	1	Flange Plate
6	4	12" Horizontal Extrusion

